

Total Lifting Solution

**CRANETECH**



**CRANETECH**  
**EQUIPMENTS**



- Crane Accessories
- Lifting Equipments
- Gantry/Goliath Cranes
- Wire Rope Electric Hoist
- Underslung Overhead Crane
- Single Girder Overhead Crane
- Double Girder Overhead Crane
- Hydraulic Floor Crane & Jib Crane

## DOUBLE GIRDER OVERHEAD CRANE



Capacity : 1 Ton to 150 Tons  
Lifting Heights : As per customer applications  
Span : 6 m to 30 m  
Class Of Duty : M5,M7,M8 as per IS: 3177 / 807 , Also available as per any other applicable international standards

## GOLIATH/GANTRY CRANE



Capacity : 0.5 Ton to 20 Tons  
Span : 3 m to 30 m

Single/Double girder dual motor cranes provide greater floor coverage than other type cranes. The close crane end approaches coupled with a close trolley approach hoist give you more working floor cover-age. This can reduce your space requirements in new buildings, or expand your usable space in existing buildings.

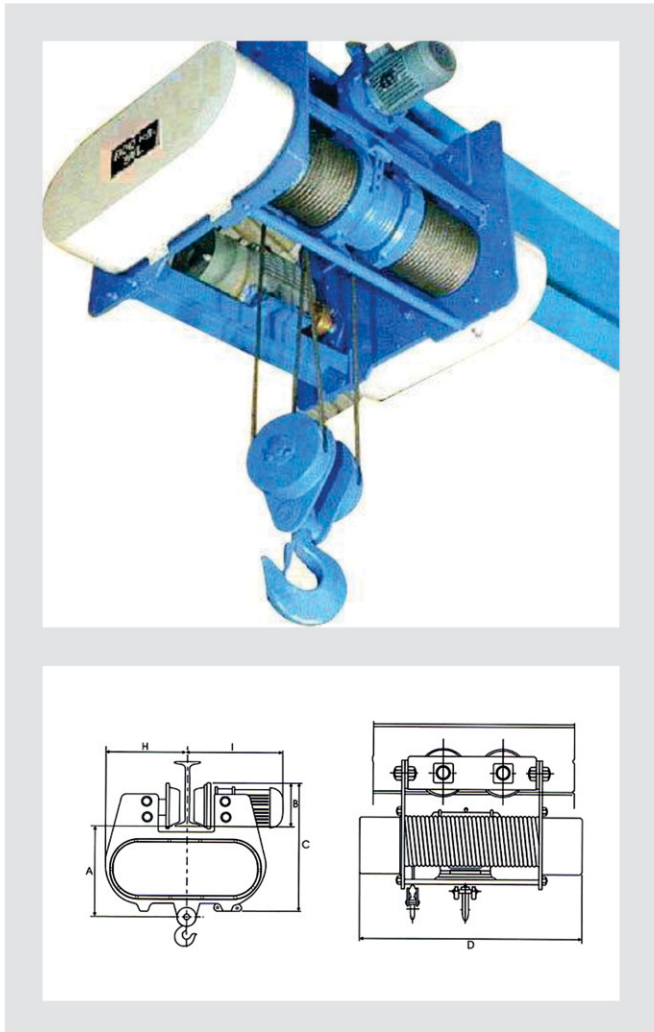
## UNDERSLUNG OVERHEAD CRANE



Capacity : 0.5 Ton to 10 Tons  
Span : 3 m to 15 m

Unslung overhead cranes provide greater floor coverage than other type cranes. The close crane end approaches coupled with a close trolley approach hoist give you more working floor coverage. This can reduce your space requirements in new buildings, or expand your usable space in existing buildings.

## WIRE ROPE ELECTRIC HOIST



### Options Available :

- VFD in Hoisting and CT
- Creep Speed
- Radio Remote Control
- Brake & limit switch in CT
- Short Head Room
- Special Hoist (Acidic Atmosphere)
- Higher Lift Hoist
- High Speed Hoist
- Pull Push Trolley & Geared Manual Trolley.

### Few salient features of the hoists

- Easy of use & maintenance
- Better Headroom
- Modular construction

“CRANETECH” Wire Rope Electric Hoist are Heavy Duty conform IS:3938 and IS807 and most suitable for rugged performance.

### Technical Specifications

| S.W.L.<br>(Ton) | Hoist<br>Speed<br>(mtr/min) | Hoist<br>motor<br>(HP) | Lift<br>(mtr.) | No. of<br>falls | Rope<br>dia<br>(mm) | CT<br>Motor<br>(HP) | CT Speed<br>(mtr/min) | A<br>(mm) | B<br>(mm) | H<br>(mm) | Hoist<br>Weight<br>(Kgs) |
|-----------------|-----------------------------|------------------------|----------------|-----------------|---------------------|---------------------|-----------------------|-----------|-----------|-----------|--------------------------|
| 1.0             | 4                           | 1.5                    | 6              | 2               | 8                   | 0.25                | 10 to 12              | 450       | 180       | 460       | 180                      |
| 2.0             | 4                           | 3                      | 6              | 2               | 10                  | 0.5                 | 10 to 12              | 600       | 200       | 600       | 350                      |
| 3.0             | 4                           | 5                      | 6              | 4               | 10                  | 0.5                 | 10 to 12              | 600       | 200       | 600       | 450                      |
| 5.0             | 3.5                         | 7.5                    | 6              | 4               | 12                  | 0.5                 | 10 to 12              | 900       | 200       | 700       | 550                      |
| 7.5             | 3.5                         | 10                     | 6              | 4               | 14                  | 1.0                 | 10 to 12              | 900       | 200       | 700       | 750                      |
| 10.0            | 2.5 to 3                    | 12.5                   | 6              | 4               | 16                  | 1.5                 | 10 to 12              | 1500      | 250       | 950       | 1200                     |
| 12.5            | 2.5 to 3                    | 12.5                   | 6              | 4               | 18                  | 1.5                 | 10 to 12              | 1500      | 250       | 950       | 1500                     |

## HYDAULIC FLOOR CRANE



### Capacity Range

• 500 kg. to 3 Ton

|                 |                        |
|-----------------|------------------------|
| Capacity        | : 500 Kgs to 3000 Kgs. |
| Overall length  | : 1450 to 2100 mm.     |
| Over all width  | : 1000 to 1260 mm.     |
| Over all Ht     | : 1550 to 2100 mm.     |
| Lowest Hook ht  | : 300 to 450mm.        |
| Highest Hook ht | : 2700 to 3400mm.      |
| Min Boom length | : 1250 to 1450 mm.     |
| Max Boom Length | : 1550 to 1900 mm.     |
| Wheel Dia       | : 200 mm.              |

## JIB CRANE



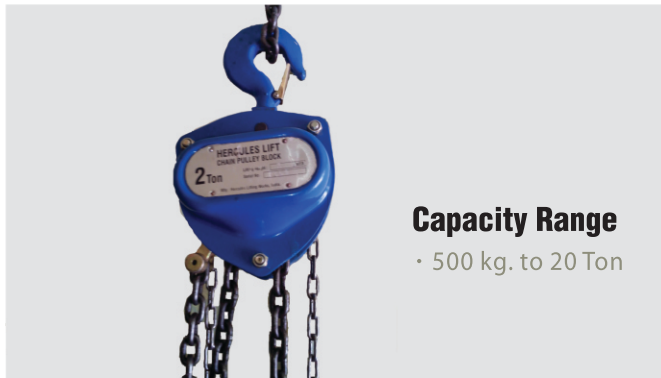
### Capacity Range

• 1 Ton to 5 Ton

### Description

- Available as Base Plate Mounted, insert Mounted, and Sleeve Insert Mounted
- All three types of the Free Standing series use a similar mast pipe, head assembly, and I-beam boom
- Difference in the models is found in the mounting arrangement Provide for 360° of continuous rotation
- All models have a round mast pipe that remains stationary throughout rotation

## CHAIN PULLEY BLOCK



### Capacity Range

• 500 kg. to 20 Ton

### Description

- Automatic double pawl braking system.
- Load wheel alloy wheel - mounted on ball bearing.
- Each chain blocks is tested on 50% overload.
- Fully forced hooks are fitted with safety latches.
- Low effort to lift maximum load.
- Used sealed ball bearing in place of needle roller bearings.
- Zinc plated hand chain as standard.
- Load chain alloy steel gr 80 tested.
- Light weight robust construction.
- Double cover protection.
- Triple spur gear type.
- Low headroom.

## MOTORISED CHAIN BLOCK



### Capacity Range

• 1 Ton to 10 Ton

### Description

- Built out of steel plates and is weldless rigid design.
- Electric operated CPB having robust and safe hoisting equipment and easy to use.
- Squirrel cage induction motor as per IS-325 specially made for hoist duty.
- Hardened and tempered gears.
- Duplex chain drive type No use of V-belt.
- Use of ball bearings for smoother running on load.
- Drop forged hooks as per IS.
- Heavy duty electro-magnetic disc type fail safe AC brake.
- Housed in sheet metal control panel box.

## GOODS LIFT



We take pleasure to introduce ourselves as the renowned manufacturer and supplier of Goods Lift. The lift provided by us enables movement of varied goods between different floors and is mostly preferred in workshops, manufacturing plants, factories, industries and storage facilities. Besides this, our experts especially emphasize on the quality and reliability of the product while fabricating. Further more, our clients can purchase it from us at reasonable price.

**Features :** • Low maintenance • Sturdy construction • Flawless working

Mechanisms mounted on fabricated frame.

Cabins are covered three sides with weld mesh frame and entry with collapsible gates. All floor entries fitted with collapsible doors.

Cabin floors are covered with chequer plate.

Over Hoisting over lowering limit switch along with hoist control limit switch.

If one rope fails another rope holds the cabin from falling.

If any gate is opened Goods lift will not operate.

All floor doors are fitted with limit switches.

Self Supporting structure as required.



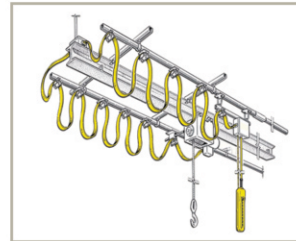
## CRANE ACCESSORIES



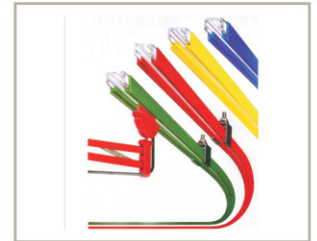
Hyd. Goods Lift



Scissor Lift



C-Rail Festoon System



DSL Busbar System



Hand Pallet Truck



Hand Pallet Truck



Manual Stacker



3 Wheel Drum Trolley



AC Disc Brake



Shoe Brake



Gear-Brake Drum Coupling



Hook Assembly



Rotary Limit Switch



Wire Ropes & Slings



control Pendant



Polyester Load Belt



Founded in 2011, CRANETECH designs and manufactures of Overhead cranes, Wire rope electric hoists, Crane components in its facilities. We also manufacture Steel Fabricated components for shed, all kinds of fabrication as OEM suppliers.

## Achievements

- Supplied cranes up to Span of 106 feet.
- Capacity up to 60 Tons (Hot Metal Handling).
- Double Girder EOT Cranes up to 150 Ton capacity.

## Our cranes find major applications in the following industries...

- Steel Mills
- Engineering Workshops
- Ordnance Factories
- Galvanizing Plants
- Power Plants
- Pipe Mills
- Paper Mills
- Stock Yard
- Railways
- Rolling Mills
- Cement Plants
- Foundry Plants



AN ISO 9001-2008 COMPANY



Decide With Confidence  
65-066-3433

**R.O.** : 1, Shree Tapasvi Apartments, Nr. Vahanvati Row House, Baliyavas, Amraiwadi, Ahmedabad - 380026, Gujarat, INDIA.  
**Work** : Plot.No 1110/B, G.I.D.C Estate, Phase -III, Nr. Kalupur Bank, Vatva, Ahmedabad - 382445, Gujarat, INDIA.  
**Phone** : +91-79-65431264  
**Cell** : +91-9825211984, +91-9662681734  
**Email** : info@cranetechequipments.com | info.cranetech@gmail.com  
**URL** : www.cranemanufacturerindia.in | www.cranetechequipments.com

Total Lifting Solution

